



10303/1/1

Power supply distribution module (PSD)

Description

The power supply distribution module (PSD) 10303/1/1 is only used in configurations with redundant Central Parts and non-redundant I/O. It is used to combine the output of the power supply units (PSUs) in the redundant Central Parts into one 5 Vdc supply for the non-redundant I/O part of the system. One power supply distribution module is required per PSU module.

The power supply to the Central Part must also be routed through this module to create an equal voltage drop to the Central Part and I/O section.

As the limits on the 5 Vdc power supply are very tight ($\pm 5\%$), it is required to place the PSD modules next to the PSU modules to reduce the voltage drop in the wiring. The minimum wire diameter is 2.5 mm² (AWG 14).

The PSD module may only be exchanged with the power supply to its PSU switched off.

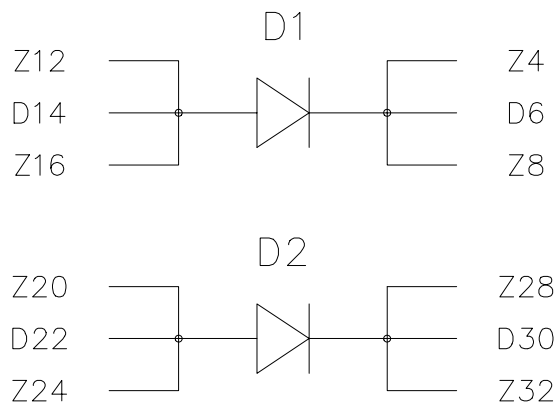


Figure 1 Schematic diagram of 10303/1/1 module



Technical data

The 10303/1/1 module has the following specifications:

General	Type number:	10303/1/1 03501*
	Approvals:	CE, TÜV, UL
	Software versions:	all
	Space requirements:	4 TE, 3 HE (= 4 HP, 3U)
Power	Power requirements:	none
	Max. current:	20 A (module dissipation limit)*
	Max. forward voltage drop:	0.55 V
	Max. reverse voltage:	30 V
Connector	Connector type:	DIN 41612-H 15 P (faston)
	Max. connector current:	10 A per pin

*** Note:**

10303/1/1 modules without a suffix code have a maximum current of 12 A.

While this information is presented in good faith and believed to be accurate, Honeywell Safety Management Systems B.V. disclaims the implied warranties of merchantability and fitness for a particular purpose and makes no express warranties except as may be stated in its written agreement with and for its customer. In no event is Honeywell Safety Management Systems B.V. liable to anyone for any indirect, special or consequential damages. The information and specifications in this document are subject to change without notice.