



Main

Range of product	Magelis iDisplay
Product or component type	Flat screen
Terminal type	Touchscreen display
Device mounting	Flush
Integrated connection type	USB or RS232C port VGA or DVI-D port

Complementary

Provided equipment	1 cable with DVI-D connector of 5 m 1 cable with VGA connector of 3 m
[Us] rated supply voltage	100...240 V AC power supply conforming to EN 61131-2
Supply voltage limits	85...265 V
Network frequency	50/60 Hz
Power consumption in VA	200 VA
Display size	19 inch
Display type	Active matrix colour TFT LCD
Display resolution	1280 x 1024 pixels SXGA
Display colour	16777216 colors
Luminance	200 cd/m ²
Backlight lifespan	50000 hours
Touch panel	Analogue resistive, 35000000 cycles
Type of installation	Indoor installation
Width	460 mm
Height	390 mm
Depth	65 mm
Product weight	7 kg

Environment

Immunity to microbreaks	10 ms
IP degree of protection	IP65 (front panel)
NEMA degree of protection	NEMA 4X (front panel)
Standards	IEC 61131-2

ANSI/ISA 12-12-01
UL 1604
CSA C22.2 No 213 : class I division 2
UL 508

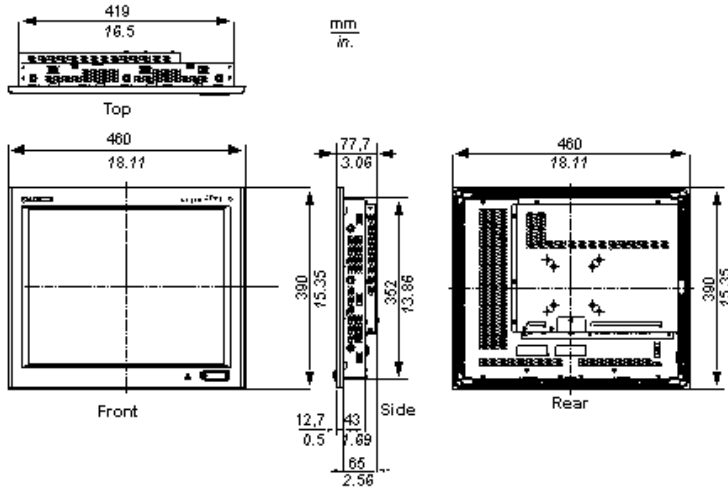
Product certifications	cULus
Ambient air temperature for operation	0...50 °C conforming to EN 61131-2, UL
Ambient air temperature for storage	-20...60 °C
Pollution degree	2

Contractual warranty

Warranty period	18 months
-----------------	-----------

Dimensions

without Installation Fasteners



with Installation Fasteners

