

General Specifications

GS 32P06D10-01EN

Models S2SC70S, S2SC70D
Safety Control Unit,
Duplexed Safety Control Unit
(for N-IO/FIO, Rack Mountable Type)



■ GENERAL

This General Specifications (GS) provides the hardware specifications of the safety control unit, which are intelligent parts of the safety control station (SCS). This product supports both N-IO and FIO.

■ HARDWARE SPECIFICATIONS

For the criteria for the installation environment, refer to "ProSafe-RS Safety Instrumented System Overview (for Vnet/IP)" (GS 32P01B10-01EN).

● Module Configuration

Power Supply Module (SPW481, SPW482 or SPW484): 2 modules

Processor Module (SCP461 style S2 or later): 2 modules for dual redundant configuration

● Processor

MIPS R5000 Processor

● Main Memory Capacity

128 MB

● Memory Protection at Power Failure

Application program is stored in non-volatile memories. Processor Module Management Information is stored in the storage memories backed up by a non-rechargeable battery.

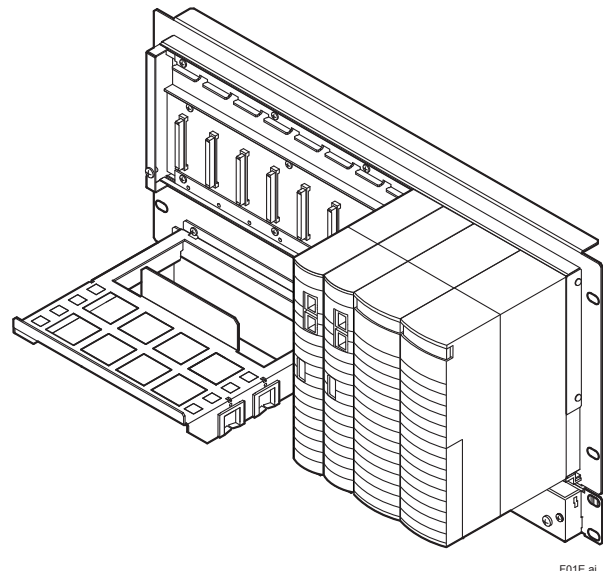
The battery's recommended replacement cycle is three years when it is used under the average ambient temperature of 30 °C or less.

● Temperature Adaptability

A fan unit is provided for high temperature use where the safety control units (S2SC70S-F/S2SC70D-F) ambient temperature exceeds 40 °C.

● Control Network

Vnet/IP interface: Dual-redundant



F01E.ai

● No. of Node Units Connectable

In order to extend the number of I/O channels, S2SC70□ allows N-IO nodes and safety node units to be connected to it. The number of individual nodes that can be connected is as follows.

N-IO node (*1): Max. 32/ SCS
Safety Node Unit (SNB10D): Max. 13/ SCS

*1: For details, refer to the GS "ProSafe-RS Outline of I/O Modules (for N-IO)" (GS 32P06F10-01EN).

● Installation Restrictions for Node Units

N-IO Node

An N-IO node is connected via an N-ESB bus or optical ESB bus. A node connection via the N-ESB bus needs an N-ESB bus coupler module (S2EN402 or S2EN404).

A node connection via the optical ESB bus needs an ESB bus coupler module (SEC401 or SEC402) and an ESB bus optical repeater module (SNT401 or SNT411).

Safety Node Unit (SNB10D)

A safety node unit is connected via an ESB bus or optical ESB bus. A safety node unit connection via the ESB bus needs an ESB bus coupler module (SEC401 or SEC402). A safety node unit connection via the optical ESB bus needs an ESB bus coupler module (SEC401 or SEC402) and an ESB bus optical repeater module (SNT401 or SNT411).

● Installation Restrictions for Bus Interface Module

N-ESB Bus Coupler Modules (S2EN402 or S2EN404) shall be installed in an odd-numbered slot and the adjacent slot on the right of slots 1 to 8 according to the number of branches.

A pair of ESB Bus Coupler Modules (SEC401 or SEC402) shall be installed in slots 7 and 8.

A pair of Optical ESB Bus Repeater Master Modules (SNT401 or SNT411) shall be installed in an odd-numbered slot and the adjacent slot on the right of slots 1 to 6 according to the number of branches.

For details, refer to the GS of each module.

● Installation Restrictions

Up to eight I/O modules (for FIO) can be installed to a S2SC70□.

For the I/O module (for FIO) installation limitations and notes, refer to "ProSafe-RS Outline of I/O Modules" (GS 32Q06K20-31E).

● Power Requirements

Specify suffix codes.

Voltage: 100 to 120 V AC, 50 or 60 Hz

Voltage: 220 to 240 V AC, 50 or 60 Hz

Voltage: 24 V DC

● Power Consumption

• S2SC70S-S /S2SC70D-S

100 to 120 V AC model: 200 VA

200 to 240 V AC model: 230 VA

24 V DC model: 5.5 A

• S2SC70S-F/S2SC70D-F

100 to 120 V AC model: 240 VA

200 to 240 V AC model: 290 VA

24 V DC model: 7.0 A

● Weight

S2SC70S-S: Approx. 7.9 kg

S2SC70S-F: Approx. 13 kg

S2SC70D-S: Approx. 8.5 kg

S2SC70D-F: Approx. 13 kg

● Mounting

Rack mounting: Rack mount
(S2SC70□-S, M5x8 screws)

(S2SC70□-F, M5x12 screws)

Insulation bush (accessory)

● Connection

Power Supply: M4 screw terminal connection

Grounding: M4 screw terminal connection